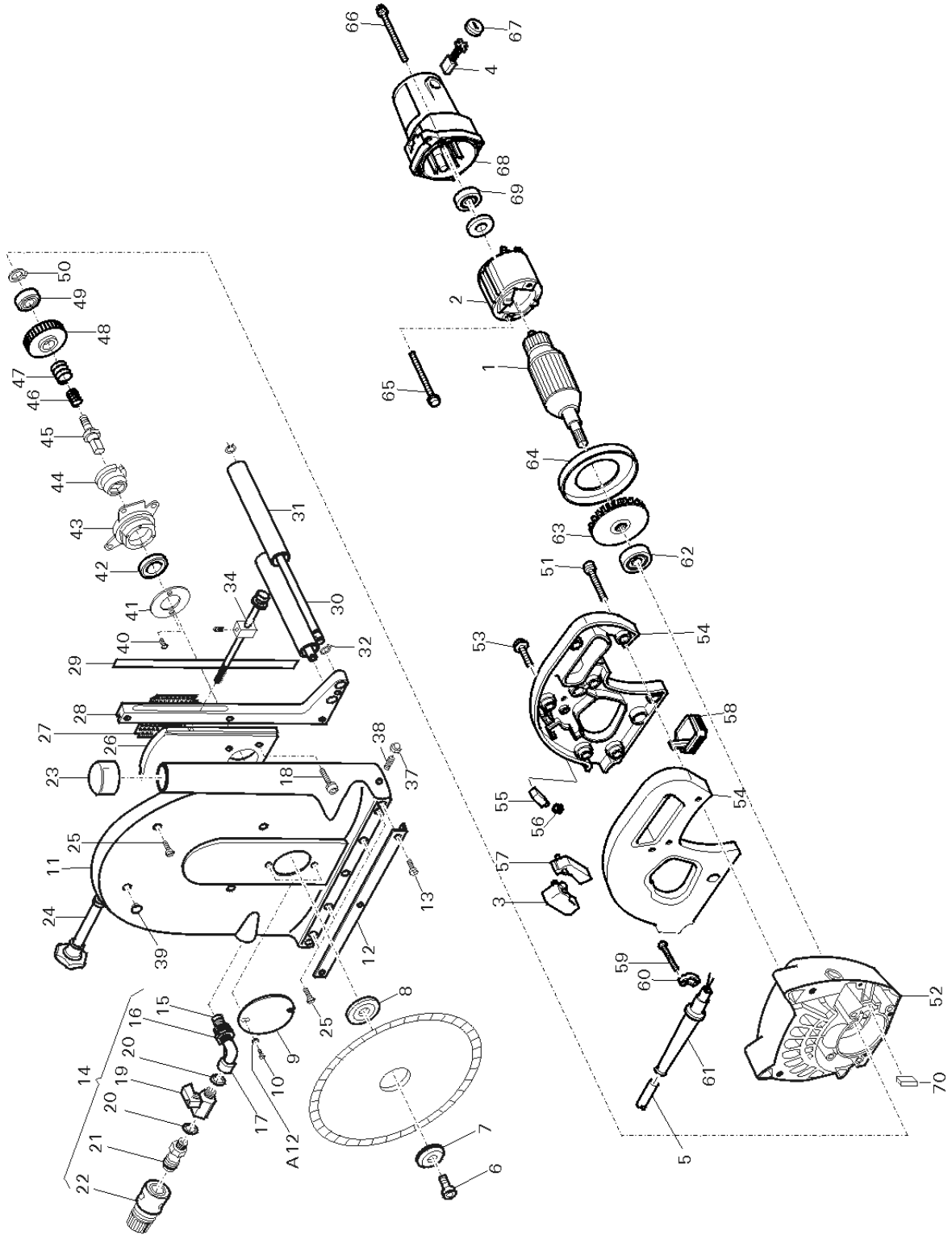


Onderdelentekening W-3010
Bestelnummer: MZW3010000



onderdelenlijst Carat muurzaagmachine W3010

| Pos | Omschrijving | Artikelnummer | Aantal |
|-----|--|---------------|--------|
| 1 | Anker | XMMA0-0010 | 1 |
| 2 | Veld | XMMA0-0020 | 1 |
| 3 | Schakelaar | XMMA0-0030 | 1 |
| 4 | Koolborstelset | XMMA0-0040 | 1 |
| 5 | Elektriciteitskabel met stekker | XMMA0-0050 | 1 |
| 6 | Flensbout M10 x 25 | XMMA0-0060 | 1 |
| 7 | Buitenflens | XMMA0-0070 | 1 |
| 8 | Binnenflens | XMMA0-0080 | 1 |
| 9 | Afdekplaat | XMBDO-B020 | 1 |
| 10 | Pencilinderschroef M4 | XMBDO-A090 | 2 |
| 11 | Kunst. beschermkap kaal | XMBDO-A000 | 1 |
| | Kunst. beschermkap compleet | XMBDO-A001 | 1 |
| 12 | Geleidestrip | XMBDO-B010 | 1 |
| 13 | Verzonken schroef M4 | XMBDO-A060 | 3 |
| 14 | Waterkraan compleet | XMBDO-D000 | 1 |
| 15 | Volkegelsproeier | XMBDO-A020 | 1 |
| 16 | Verloopstuk | ZZ-6587214 | 1 |
| 17 | Kniestuk 1/4" | XMBDO-A030 | 1 |
| 18 | Inbusschroef M5 x 30 | XMMA0-0180 | 4 |
| 19 | Kogelkraan | ZZ-KK02500 | 1 |
| 20 | Fiberring | ZZ-FR13000 | 2 |
| 21 | Messing waterkoppeling | XA18251650 | 1 |
| 22 | Gardena waterstop | XMBDO-A040 | 1 |
| 23 | Afdichtdop tbv stofafzuiging | XMBDO-A010 | 1 |
| 24 | Knop tbv hoogte-instelling | XMBDO-0240 | 1 |
| 25 | Verzonken schroef M5 x 10 | XMBDO-A061 | 8 |
| 26 | Montageplaat | XMMA0-B010 | 1 |
| 33 | Frame compleet bestaande uit nrs: 26, 27, 28, 29, 30, 31, 32 | XMMA0-B000 | 1 |
| 34 | Bout tbv hoogte-instelling | XMBDO-0340 | 1 |
| 37 | Centreerpunt | XMBDO-A080 | 2 |
| 38 | Stelbout M6 | XMBDO-A100 | 2 |
| 39 | Sierstop | XMBDO-A140 | 4 |
| 40 | Schroef M5 x 16 | XMMA0-0400 | 2 |
| 41 | Ring | XMMA0-0410 | 1 |
| 42 | Lager tandwielas 6203-2RS1 | XMMA0-0420 | 1 |
| 43 | Lagerhuis | XMMA0-0430 | 1 |
| 44 | Pasbus lagerhuis | XMMA0-0440 | 1 |
| 45 | Uitgaande as | XMMA0-0450 | 1 |
| 46 | Veer 26 | XMMA0-0460 | 1 |
| 47 | Veer 20 | XMMA0-0470 | 1 |
| 48 | Tandwiel | XMMA0-0480 | 1 |
| 49 | Lager tandwielas 6001-2RS1 | XMMA0-0490 | 1 |
| 50 | Borgring | XMMA0-0500 | 2 |
| 51 | Schroef M5 x 40 | XMMA0-0510 | 3 |
| 52 | Tandwielkast | XMMA0-0520 | 1 |
| 53 | Schroef 5 x 25 | XMMA0-0530 | 4 |
| 54 | Handgreep compleet | XMMA0-0540 | 1 |
| 55 | Vastzetknop schakelaar | XMMA0-0550 | 1 |
| 56 | Drukveer | XMMA0-0560 | 1 |
| 57 | Knop schakelaar | XMMA0-0570 | 1 |
| 58 | Electro-unit | XMMA0-0580 | 1 |
| 59 | Schroef 4 x 18 | XMMA0-0590 | 2 |
| 60 | Trekontlasting | XMMA0-0600 | 1 |
| 61 | Kabeltule | XMMA0-0610 | 1 |
| 62 | Lager anker vóór 6002-2RS1 | XMMA0-0620 | 1 |
| 63 | Ventilator | XMMA0-0630 | 1 |
| 64 | Plastic schotel | XMMA0-0640 | 1 |
| 65 | Schroef M5 x 80 | XMMA0-0650 | 2 |
| 66 | Schroef M5 x 65 | XMMA0-0660 | 4 |
| 67 | Koolborsteldop | XMMA0-0670 | 2 |
| 68 | Motorhuis | XMMA0-0680 | 1 |
| 69 | Lager achter 629-2RS1 | XMMA0-0690 | 1 |
| 70 | Kunststof afdichting 10x5x19 | XMMA0-0700 | 1 |